

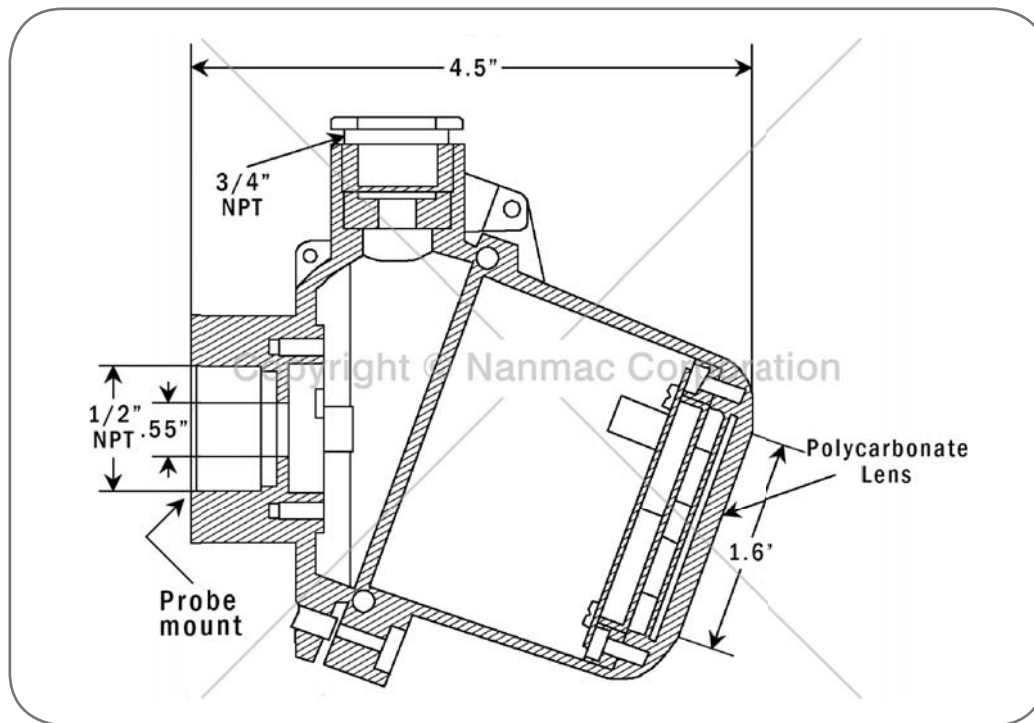
# PRODUCT INFO SHEET

Nanmac Corporation

Quality • Performance • Solutions

## Head Mount Digital Display with 4-20 mA Transmitter Installed F7-LCD Series

The F7-LCD is a head mounted digital indicator, including a non-isolated F11-40 Temperature Transmitter. Both the LCD display and the temperature transmitter are installed within an aluminum general purpose connector head. The connector head has a polycarbonate viewing window. The indicator has 1/2 inch high-contrast LCD digits. The connector head has 1/2 NPT process threads and 3/4 NPT conduit connection. Both NPT dimensions can be reduced to accommodate your requirement. Temperature transmitter programming performed by Nanmac Corporation.



Indicator Specifications	
Display	High Contrast, Four-Digit LCD
Digit Height	Display 4 (0.5 inch high) digits including minus sign; ~ 0.5 inch (12mm)
Operating Temperature	-20 to 70°C (-4 to 158°F)
Typical Accuracy	±0.1% of programmed span ± digit

### User Specified Information (programmed by NANMAC)

- 1) Input Sensor Type
- 2) Cold Junction (thermocouple only, default is 32°F / 0°C)
- 3) Temperature Scale °F or °C
- 4) Temperature Range (full sensor range as default)
- 5) Sensor Break Detection (upscale or downscale - upscale is default)

11 Mayhew Street  
Framingham, MA 01702  
www.Nanmac.com  
engineering@nanmac.com

Foremost in Temperature Measurement™  
**NANMAC**

US & Canada: 1.800.786.4669  
International: 1.508.872.4811  
Fax: 1.508.879.5450  
info@nanmac.com