

# PRODUCT INFO SHEET

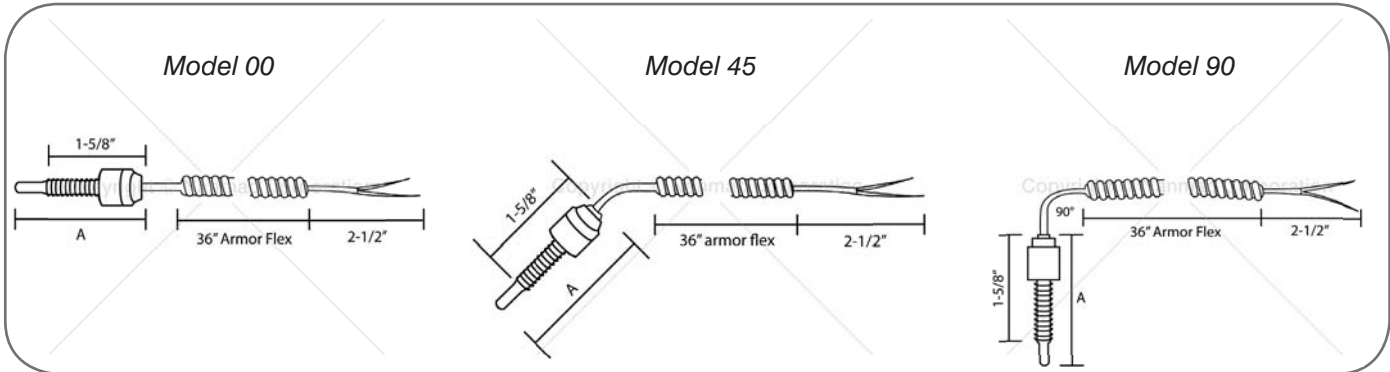
Nanmac Corporation

Quality • Performance • Solutions

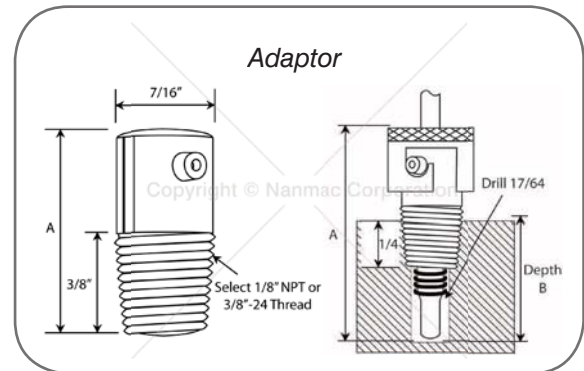
## Spring-Loaded Bayonet Thermocouples A5 Series

### NOTES:

- Available thermocouple types: E, J, K, N & T
- All standard units have a grounded junction. If ungrounded junction desired, add "U" to the Part No.
- All standard units have 36 inches armored extension leads.
- All bayonet thermocouples are supplied without adaptors and connectors.
- Specify thermocouple calibration as follows.  
Example: A5-1-K, for type K



Specifications					
Part No.	Model	Length "A" (in.)	Part No.	Model	Length "A" (in.)
A5-1	00	2	A5-19	90	2
A5-2		2-1/2	A5-20		2-1/2
A5-3		3	A5-21		3
A5-4		3-1/2	A5-22		3-1/2
A5-5		4	A5-23		4
A5-6		4-1/2	A5-24		4-1/2
A5-7		5	A5-25		5
A5-8		5-1/2	A5-26		5-1/2
A5-9		6	A5-27		6
A5-10	45	2	Specify thermocouple calibration All standard units have 36" armored extension leads.  All bayonet thermocouples are supplied without adaptors and connectors.		
A5-11		2-1/2			
A5-12		3			
A5-13		3-1/2			
A5-14		4			
A5-15		4-1/2			
A5-16		5			
A5-17		5-1/2			
A5-18	6				
Mounting Adaptors					
A5-28	1/8 NPT	7/8			
A5-29		1-3/8			
A5-30		2-1/2			
A5-31	3/8-24 NF	7/8			
A5-32		1-3/8			
A5-33		2-1/2			



Instructions for Hole Depth and Adaptors			
Depth "B" (in.)	Length "A"		
	7/8" long adaptor	1-3/8" long adaptor	2-1/2" long adaptor
1/2 to 1	2	2-1/2	3-5/8
1 to 1-1/2	2-1/2	3	4-1/2
1-1/2 to 2	3	3-1/2	4-5/8
2 to 2-1/2	3-1/2	4	5-1/8
2-1/2 to 3	4	4-1/2	5-5/8
3 to 3-1/2	4-1/2	5	6-1/8
3-1/2 to 4	5	5-1/2	6-5/8
4 to 4-1/2	5-1/2	6	7-1/8
4-1/2 to 5	6	6-1/2	7-5/8