

PRODUCT INFO SHEET

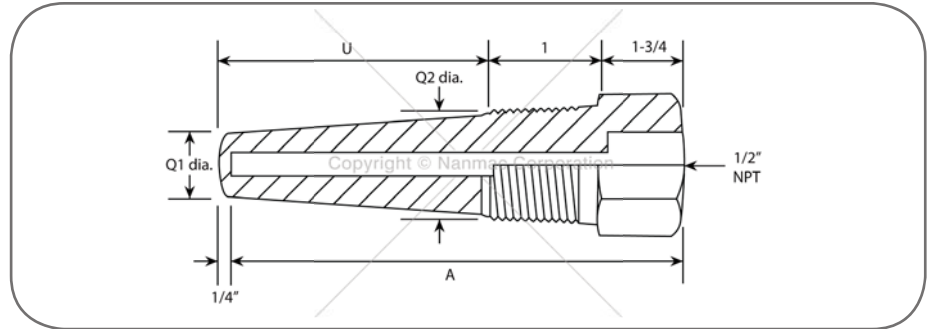
Nanmac Corporation

Quality • Performance • Solutions

Heavy Duty Tapered Thermowells for 1/4" & 3/8" Diameter Elements A25 Series

NOTES:

- Stainless steel or brass compression fittings are available for mounting probes into these thermowells.



1/4" Diameter Probe - Temperature Rating - PSI							
Material	Temperature °F						
	70°F	200°F	400°F	600°F	800°F	1,000°F	1,200°F
Brass	5,300	4,750	1,100	-	-	-	-
Carbon Steel	5,950	5,750	5,450	5,250	4,000	1,750	-
SS 304	7,800	7,050	6,400	6,150	6,000	5,190	1,875
SS 316	7,800	7,800	7,250	7,100	6,950	5,800	2,720
Monel	7,450	6,850	6,150	6,100	5,940	1,750	-

3/8" Diameter Probe - Temperature Rating - PSI							
Material	Temperature °F						
	70°F	200°F	400°F	600°F	800°F	1,000°F	1,200°F
Brass	5,000	4,200	1,000	-	-	-	-
Carbon Steel	5,200	5,000	5,800	4,600	3,500	1,500	-
SS 304	7,000	6,200	5,600	5,400	5,200	4,500	1,675
SS 316	7,000	7,000	6,400	6,200	6,100	5,100	2,500
Monel	6,500	6,000	5,400	5,360	5,200	1,500	-

Specifications						
Exterior Thread (P)	Stem Length (A)	Insertion Length (U)	Bore Diameter (B) = 0.260" Shank Diameter Q1-7/8" Q2-5/8"			
			Material SS304	Material SS316	Material Carbon Steel	Material Brass
			Part No.	Part No.	Part No.	Part No.
3/4" NPT	4	2-1/2	A25-1	A25-15	A25-57	A25-43
	6	4-1/2	A25-2	A25-16	A25-58	A25-44
	9	7-1/2	A25-3	A25-17	A25-59	A25-45
	12	10-1/2	A25-4	A25-18	A25-60	A25-46
	15	13-1/2	A25-5	A25-19	A25-61	A25-47
	18	19-1/2	A25-6	A25-20	A25-62	A25-48
	24	22-1/2	A25-7	A25-21	A25-63	A25-49
1" NPT	4	2-1/2	A25-8	A25-22	A25-64	A25-50
	6	4-1/2	A25-9	A25-23	A25-65	A25-51
	9	7-1/2	A25-10	A25-24	A25-66	A25-52
	12	10-1/2	A25-11	A25-25	A25-67	A25-53
	15	13-1/2	A25-12	A25-26	A25-68	A25-54
	18	19-1/2	A25-13	A25-27	A25-69	A25-55
	24	22-1/2	A25-14	A25-28	A25-70	A25-56
Bore Diameter (B) 0.385" Shank Diameter Q1-1-1/16" Q2-49/64"						
1" NPT	4	2-1/2	A25-29	A25-36	A25-78	A25-71
	6	4-1/2	A25-30	A25-37	A25-79	A25-72
	9	7-1/2	A25-31	A25-38	A25-80	A25-73
	12	10-1/2	A25-32	A25-39	A25-81	A25-74
	15	13-1/2	A25-33	A25-40	A25-82	A25-75
	18	19-1/2	A25-34	A25-41	A25-83	A25-76
	24	22-1/2	A25-35	A25-42	A25-84	A25-77

11 Mayhew Street
Framingham, MA 01702
www.Nanmac.com
engineering@nanmac.com

Foremost in Temperature Measurement™
NANMAC

US & Canada: 1.800.786.4669
International: 1.508.872.4811
Fax: 1.508.879.5450
info@nanmac.com