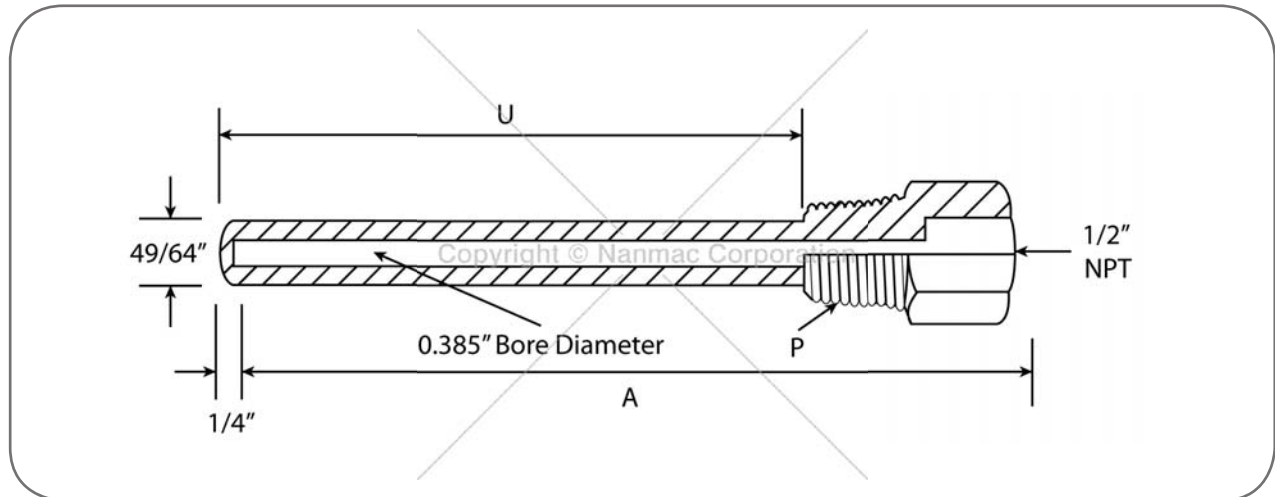


PRODUCT INFO SHEET

Nanmac Corporation

Quality • Performance • Solutions

General Use Thermowells Standard for 3/8" Diameter Elements A23 Series



Typical Pressure - Temperature Rating - PSI							
Material	Temperature - °F						
	70°	200°	400°	600°	800°	1000°	1200°
Brass	5,000	4,200	1,000				
Carbon Steel	5,200	5,000	4,800	4,600	3,500	1,500	
SS304	7,000	6,200	5,600	5,400	5,200	4,500	1,650
SS316	7,000	7,000	6,400	6,200	6,100	5,100	2,500
Monel	6,500	6,000	5,400	5,300	5,200	1,500	

NOTES:

- Stainless steel or brass compression fittings are available for mounting probes into these thermowells.

Specifications						
Exterior Thread (P)	Element Length (A)	Insertion Length (U)	Bore Diameter (B) = 0.385"			
			Material SS304	Material SS316	Material Carbon Steel	Material Brass
			Part No.	Part No.	Part No.	Part No.
3/4" NPT	4	2-1/2	A23-1	A23-15	A23-29	A23-43
	6	4-1/2	A23-2	A23-16	A23-30	A23-44
	9	7-1/2	A23-3	A23-17	A23-31	A23-45
	12	10-1/2	A23-4	A23-18	A23-32	A23-46
	15	13-1/2	A23-5	A23-19	A23-33	A23-47
	18	16-1/2	A23-6	A23-20	A23-34	A23-48
	24	22-1/2	A23-7	A23-21	A23-35	A23-49
1" NPT	4	2-1/2	A23-8	A23-22	A23-36	A23-50
	6	4-1/2	A23-9	A23-23	A23-37	A23-51
	9	7-1/2	A23-10	A23-24	A23-38	A23-52
	12	10-1/2	A23-11	A23-25	A23-39	A23-53
	15	13-1/2	A23-12	A23-26	A23-40	A23-54
	18	16-1/2	A23-13	A23-27	A23-41	A23-55
	24	22-1/2	A23-14	A23-28	A23-42	A23-56

11 Mayhew Street
Framingham, MA 01702
www.Nanmac.com
engineering@nanmac.com

Foremost in Temperature Measurement™
NANMAC

US & Canada: 1.800.786.4669
International: 1.508.872.4811
Fax: 1.508.879.5450
info@nanmac.com