

PRODUCT INFO SHEET

Nanmac Corporation

Quality • Performance • Solutions

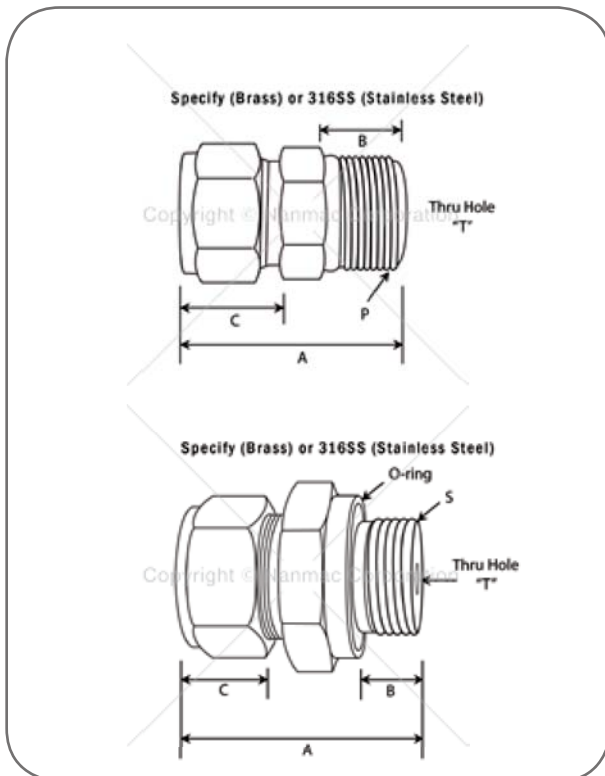
Adjustable Compression Fittings A10 Series

We offer two styles of adjustable compression fittings for use in mounting thermocouples into thick or thin walls. One style uses a standard NPT pipe thread while the other uses a straight thread with O-ring seal. Both are typically available from stock in 316 stainless steel (brass upon request).

Both styles are available for probe diameters from 1/16" to 1.0" OD. (other sizes upon request). The O-ring style is also ideal for use in thin-wall applications, glass containers, jar lids, etc. Simply put a jam nut on other side of container lid.

NOTES:

- If a (BR - brass) adjustable compression fitting is desired, list the Part No. and BR. *Example: A10-1-BR*
- If a (SS - stainless steel) adjustable compression fitting is desired, add the suffix SS to the Part No. *Example: A10-1-SS*



Pipe Thread Fitting Style - Specifications

Part No.	Tube OD T	Male Pipe Size P	A	B	C
A10-1	1/16	1/16	15/16	3/8	7/16
A10-2	1/16	1/8	1	3/8	7/16
A10-3	1/8	1/8	1-3/16	3/8	5/8
A10-4	3/16	1/8	1-15/64	3/8	21/32
A10-4A	3/16	1/4	1-5/16	9/16	23/32
A10-5	1/4	1/8	1-5/16	3/8	23/32
A10-6	1/4	1/4	1-1/2	9/16	23/32
A10-7	1/4	3/8	1-17/32	9/16	23/32
A10-8	1/4	1/2	1-3/4	3/4	23/32
A10-9	5/16	1/8	1-23/64	3/8	3/4
A10-10	5/16	1/4	1-35/64	9/16	3/4
A10-11	3/8	3/4	1-13/16	3/4	3/4
A10-12	3/8	1/4	1-19/32	9/16	25/32
A10-13	3/8	3/8	1-19/32	9/16	25/32
A10-14	3/8	1/2	1-13/16	3/4	25/32
A10-15	1/2	1/4	1-23/32	9/16	7/8
A10-16	1/2	3/8	1-23/32	9/16	7/8
A10-17	1/2	1/2	1-29/32	3/4	7/8
A10-18	1/2	3/4	1-15/16	3/4	7/8
A10-19	5/8	3/8	1-3/4	9/16	7/8
A10-20	5/8	1/4	1-15/16	3/4	7/8
A10-22	3/4	3/4	2	3/4	7/8
A10-23	7/8	3/4	2	3/4	7/8
A10-25	1	1	2-7/16	15/16	1-1/32

Minor length variations should be expected

O-Ring Style - Specifications

Part No.	Tube OD T	Thread Size S	A	B	C
A10-26	1/16	5/16-24	1-1/16	11/32	7/16
A10-27	1/8	5/16-24	1-5/16	11/32	5/8
A10-28	3/16	3/8-24	1-3/8	3/8	21/32
A10-29	1/4	7/16-20	1-17/32	13/32	23/32
A10-30	5/16	1/2-20	1-5/16	7/16	3/4
A10-31	3/8	9/16-18	1-11/16	15/32	25/32
A10-32	1/2	3/4-16	1-13/16	15/32	7/8
A10-33	5/8	7/8-14	1-29/32	15/32	7/8
A10-34	3/4	1-1/16-12	2-1/16	9/16	7/8
A10-35	7/8	1-1/16-12	2-1/16	9/16	7/8
A10-36	1	1-5/16-12	2-9/32	9/16	1-1/32